

iPROJEX – Infopro

Data file structure and contents (XML format)

Version	Date	Author	Modifications description
1.0	2012-05-22	EDP/CC	Initial version
1.1	2023-01-20	Elisa Matarrese (CCMC)	Updated following new sector classification

Table of Contents

1	Purpose	3
2	Introduction to the business area.....	3
3	XML file structure	4
3.1	Schema	4
3.2	Data fields.....	5
3.2.1	Header info	5
3.2.2	Infopro notifications information	5
4	Errors and Warnings	8
4.1	Error messages	8
4.2	Warning messages.....	10
	ANNEX I – iPROJEX documentation per modules.....	13
	ANNEX II – List of sectors.....	14

1 Purpose

This document is intended to complement the [iPROJEX General User Guide](#) which explains:

- how to use the iPROJEX tool
- the different steps to perform when using iPROJEX (common to all modules)

The aim of this documentation is to give you detailed information on the Infopro module (XML format):

- detailed information on the XML file structure (schema, field names, description...)
- explanation of all error and warning messages (displayed on the screen or included in the log files)

2 Introduction to the business area

The Information Procedure on Standards (Infopro) is also called Notification Procedure (Directive 98/34/EC).

According to this procedure, national bodies are requested to notify any new national standardization work to CCMC. The new work should be notified at the earliest possible stage at which the definition of the project has reached some stability.

The aim of the procedure is to leave enough time to interested parties established in other Member states to be informed of the project and to react.

Notification of new work should take place before the public enquiry is launched. Voting periods are usually rather short (a few weeks) and considering the time needed to reach the interested experts, notifications at enquiry stage do not enable the original aim of the system to be met and are considered as late notifications.

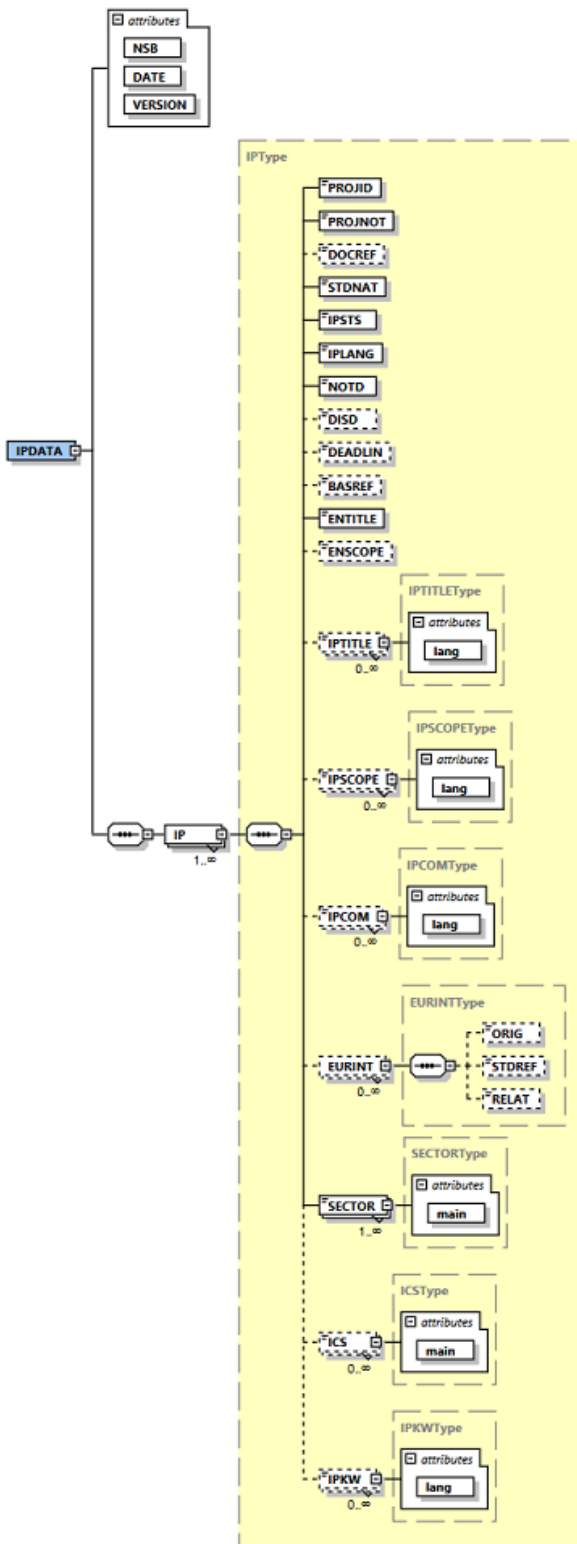
Any new subject to result in a national standard (except work identical to European or international work) started at national level has to be notified via iPROJEX. Amendments to/revisions of existing standards have also to be notified unless identical to European or international work.

Only one notification is required per project unless major changes are identified.

See [CEN BOSS](#) for further details.

3 XML file structure

3.1 Schema



3.2 Data fields

3.2.1 Header info

Name	Type	Data	Description	Obligation
NSB	String	Organisation name	CEN or CENELEC member or affiliate name. Examples: AFNOR, UTE, NEN, DKE, UNI, DPS, SII...	Compulsory
DATE	Date	Date of file	Date the file was generated (in format YYYY-MM-DD) Example: 2012-04-27	Compulsory
VERSION	Integer	Version number	= 1	Compulsory

3.2.2 Infopro notifications information

Name	Type	Data	Description	Obligation
PROJID	String	Project identification	Alpha-numeric code uniquely identifying a project. 8 characters maximum.	Compulsory
PROJNOT	Integer	Project notification number	Sequence number of the notification, i.e. 1 = first notification, 2 = second notification...	Compulsory
DOCREF	String	Document identifier	Reference of the document at the time of the notification.	Optional
STDNAT	String	Standard nature	Specification of the nature of the future national publication. <u>Values:</u> - 'Standard' - 'Other'	Compulsory
IPSTS	Integer	Project status	Specifies the stage of progress at the time of notification. <u>Values:</u> - 1 = Project established - 2 = Draft for public enquiry - 3 = Published standard - 4 = Merging - 5 = Splitting - 6 = Not active	Compulsory

2023-01-20

Name	Type	Data	Description	Obligation
IPLANG	String	Language of project	Language code indicating the language of the national project (ISO 639). Examples: it, lv, es...	Compulsory
NOTD	Date	Notification date	Date at which the NSB has notified CCMC of the project.	Compulsory
DISD	Date	Draft issue date	Date of submission of a national draft standard to public enquiry.	Optional
DEADLIN	Date	Latest date for comments	Deadline for submission of comments on a national draft standard circulated for public enquiry.	Optional
BASREF	String	Basis national reference	Identifies one (or more) national technical document(s) which are revised/amended and are the subject of the notification.	Optional
ENTITLE	String	English title	The title of the national project in English.	Compulsory
ENSCOPE	String	English scope	The scope of the national project in English.	Optional
IPTITLE	String	National title	Title of the national project in one of the CEN member languages	Optional
lang	String	Language	Language code (ISO 639) of the title of the national project	Compulsory if a non English title is provided
IPSCOPE	String	National scope	Scope of the national project in one of the CEN member languages	Optional
lang	String	Language	Language code (ISO 639) of the scope of the national project	Compulsory if a non English scope is provided
IPCOM	String	National comment	National comment in one of the CEN member languages	Optional
lang	String	Language	Language code (ISO 639) of the national comment	Compulsory if a national comment is provided
ORIG	String	Originating level	Originating level (European or international) <u>Values:</u> - European - International	Compulsory if there is a relationship with a non national standard

2023-01-20

Name	Type	Data	Description	Obligation
STDREF	String	Non national standard reference	Designates the international or European work to which the national project is related	Optional
RELAT	String	Relationship	Identifies the relation between the national project and the European and/or International standards (cf ISO/IEC Guide 21-1:2005) <u>Values:</u> - 'Identical' - 'Modified' - 'Not equivalent'	Compulsory if there is a relationship with a non national standard
SECTOR	String	Main sector	Activity Sector classification code allocated to the national project. Examples: 01FOOD, 04BUIL, 07FUEL... See list of sectors in Annex 2	Compulsory
main	Integer	Main flag	Flag used to indicate the principle Activity Sector code. <u>Values:</u> - 1 = Main sector - 0 = Secondary sector	Compulsory
ICS	String	Main ICS	ICS classification code allocated to the national project. Only the main ICS should be encoded in this field. Secondary ICS are encoded in sheet "ICS". Examples: 01.040.25, 49.030.50	Optional
main	Integer	Main flag	Flag used to indicate the principle ICS code. <u>Values:</u> - 1 = Main ICS - 0 = Secondary ICS	Compulsory
IPKW	String	English keyword	Keyword(s) in English.	Optional
lang	String	Language	Language code (ISO 639)	Compulsory if keywords are provided

4 Errors and Warnings

Reminder:

An **Error** is a problem which will prevent the data record from being loaded into the CCMC database.

A **Warning** does not prevent the data record from being loaded but should be noted and possibly investigated by the user.

4.1 Error messages

Error message	Explanation	Action to be taken
This National Standardization Body does not exist in the CCMC database. Please give correct information.	The national member or affiliate name contained in the file is not valid. This could potentially occur when your organization has recently changed name.	Re-check your organization name and otherwise contact the CCMC Database Unit (dataservice@cencenelec.eu)
No data will be added. NSB indicated in the data file does not correspond to your user profile.	This could potentially occur when your organization has recently changed name.	Re-check your organization name and otherwise contact the CCMC Database Unit (dataservice@cencenelec.eu)
The National Project is already present in the CCMC database with the same information. No data will be loaded.	The data is already registered in the CCMC central database.	No action needed.
No data will be loaded. PROJID contains more than 8 characters.	The Project identification has more than 8 characters.	Re-check your project identification. It should not have more than 8 characters.
Compulsory field PROJID missing. No data will be loaded.	Missing compulsory information 'PROJID'	Fill in the field 'PROJID' before uploading your file.
Compulsory field PROJNOT missing. No data will be loaded.	Missing compulsory information 'PROJNOT'	Fill in the field 'PROJNOT' before uploading your file.
Compulsory field STDNAT missing. No data will be loaded.	Missing compulsory information 'STDNAT'	Fill in the field 'STDNAT' before uploading your file.
Compulsory field IPSTS missing. No data will be loaded.	Missing compulsory information 'IPSTS'	Fill in the field 'IPSTS' before uploading your file.
Compulsory field IPLANG missing. No data will be loaded.	Missing compulsory information 'IPLANG'	Fill in the field 'IPLANG' before uploading your file.
Compulsory field SECTOR missing. No data will be loaded.	Missing compulsory information 'SECTOR'	Fill in the field 'SECTOR' before uploading your file.

2023-01-20

Error message	Explanation	Action to be taken
Compulsory SECTOR field MAIN missing. No data will be loaded.	Missing compulsory information 'SECTOR/Main'	Fill in the field 'SECTOR/Main' before uploading your file.
Compulsory field ENTITLE missing. No data will be loaded.	Missing compulsory information 'ENTITLE'	Fill in the field 'ENTITLE' before uploading your file.
Sector code not present in the CCMC database. No data will be loaded.	The sector code does not exist in the CCMC database.	Re-check your sector code (cf Annex 2) and otherwise contact CCMC (dataservice@cencenelec.eu)
No main sector code defined. No data will be loaded.	There must be at least one main sector. Attention: If only one code is provided then the field 'SECTOR/Main' must be set to '1'.	Re-check your sectors: - If there is only one sector allocated to the notification, then put 'Main' = '1' - If there are several sectors allocated to the notification, then check which one is the main and put 'Main' = '1' (for the secondary sectors 'Main' = '0').
SECTOR field MAIN contains an invalid value. No data will be loaded.	The compulsory field 'SECTOR/Main' contains an incorrect value.	Check and correct the field 'SECTOR/Main'. The 2 possible values are: <ul style="list-style-type: none"> • 0 (= Additional) • 1 (= Main)
STDNAT contains an invalid value. No data will be loaded.	The compulsory field 'STDNAT' contains an incorrect value.	Check and correct the field 'STDNAT'. The 2 possible values are: <ul style="list-style-type: none"> • Standard • Other
IPSTS contains an invalid value. No data will be loaded.	The compulsory field 'IPSTS' contains an incorrect value.	Check and correct the field 'IPSTS'. The 6 possible values are: <ul style="list-style-type: none"> • 1 = Project established • 2 = Draft for public enquiry • 3 = Published standard • 4 = Merging • 5 = Splitting • 6 = Not active
Compulsory field NOTD missing. No data will be loaded.	The compulsory field 'NOTD' contains an incorrect value.	Check and correct the field 'NOTDAT'.
SYSTEM ERROR	An unexpected error has occurred.	Contact dataservice@cencenelec.eu .

4.2 Warning messages

Warning message	Explanation	Action to be taken
The Notification of National Project will be assigned in the CCMC database a notification number of <X>	<ul style="list-style-type: none"> - For new notifications: The project notification number does not correspond to 1 - For updates of existing notifications: The project notification number does not correspond to the existing notification number + 1 	No action needed. The correct notification number will be automatically assigned.
IPTITLE field LANG missing. The associated text will not be loaded.	Missing information 'IPTITLE/Lang'	Fill in the field 'IPTITLE/Lang' before uploading your file otherwise your national title won't be loaded in the CCMC database.
Incorrect language code: field IPTITLE/LANG. The associated text will not be loaded.	The language code provided does not correspond to the standard language code (ISO 639)	Re-check and correct your IPTITLE language code before uploading your file otherwise your title won't be loaded in the CCMC database
IPSCOPE field LANG missing. The associated text will not be loaded.	Missing information 'IPSCOPE/Lang'	Fill in the field 'IPSCOPE/Lang' before uploading your file otherwise your national scope won't be loaded in the CCMC database.
Incorrect language code: field IPSCOPE/LANG. The associated text will not be loaded.	The language code provided does not correspond to the standard language code (ISO 639)	Re-check and correct your IPSCOPE language code before uploading your file otherwise your title won't be loaded in the CCMC database
IPCOM field LANG missing. The associated text will not be loaded.	Missing information 'IPCOM/Lang'	Fill in the field 'IPCOM/Lang' before uploading your file otherwise your comment won't be loaded in the CCMC database.
Incorrect language code: field IPCOM/LANG. The associated text will not be loaded.	The language code provided does not correspond to the standard language code (ISO 639)	Re-check and correct your IPCOM language code before uploading your file otherwise your title won't be loaded in the CCMC database
IPKW field LANG missing. The associated text will not be loaded.	Missing information 'IPKW/Lang'	Fill in the field 'IPKW/Lang' before uploading your file otherwise your keywords won't be loaded in the CCMC database.

2023-01-20

Warning message	Explanation	Action to be taken
Incorrect language code: field IPKW/LANG. The associated text will not be loaded.	The language code provided does not correspond to the standard language code (ISO 639)	Re-check and correct your IPKW language code before uploading your file otherwise your title won't be loaded in the CCMC database
ICS code not present in the CCMC database. ICS information will not be loaded.	The ICS code does not exist in the CCMC database.	Re-check your ICS code and otherwise contact CCMC (dataservice@cencenelec.eu)
ICS field MAIN contains an invalid value. ICS information will not be loaded.	The field 'ICS/Main' contains an incorrect value.	Check and correct the field 'ICS/Main'. The 2 possible values are: <ul style="list-style-type: none"> • 0 (= Additional) • 1 (= Main)
No main ICS code defined. ICS information will not be loaded.	There must be at least one main ICS. Attention: If only one code is provided then this field must be set to '1'.	Re-check and correct your ICS before uploading your file otherwise the ICS code won't be loaded in the CCMC database: <ul style="list-style-type: none"> - If there is only one ICS allocated to the notification, then put 'Main' = '1' - If there are several ICS allocated to the notification, then check which one is the main and put 'Main' = '1'.
ICS field MAIN missing. No ICS information will be loaded.	Missing information 'ICS/Main'	Fill in the field 'ICS/Main' before uploading your file otherwise the ICS code won't be loaded in the CCMC database.
Field ORIG missing. The non national standard information will not be loaded.	There is at least one relationship with a non national standard and the field 'ORIG' is missing.	Fill in the field 'ORIG' before uploading your file otherwise your non national standards won't be loaded in the CCMC database.
ORIG contains an invalid value. The non national standard information will not be loaded.	The field 'ORIG' contains an incorrect value.	Check and correct the field 'ORIG' before uploading your file otherwise the non national standard information won't be loaded in the CMC database. The 2 possible values are: <ul style="list-style-type: none"> • European • International

Warning message	Explanation	Action to be taken
Field RELAT missing. The non national standard information will not be loaded.	There is at least one relationship with a non national standard and the field 'RELAT' is missing.	Fill in the field 'RELAT' before uploading your file otherwise your non national standards won't be loaded in the CCMC database.
RELAT contains an invalid value. The non national standard information will not be loaded.	The field 'RELAT' contains an incorrect value.	Check and correct the field 'RELAT' before uploading your file otherwise the non national standard information won't be loaded in the CCMC database. The 3 possible values are: <ul style="list-style-type: none">• 'Identical'• 'Modified'• 'Not equivalent'

ANNEX I – iPROJEX documentation per modules

Specific documentations are available for all the modules (per format):

National Implementation	iPROJEX - National Implementation - Data file structure and contents (XML format)
	iPROJEX - National Implementation - Data file structure and contents (XLS format)
ICS	iPROJEX - ICS - Data file structure and contents (XML format)
National Titles	iPROJEX - National Titles - Data file structure and contents (XML format)
	iPROJEX - National Titles - Data file structure and contents (XLS format)
Technical Body Titles and Scopes	iPROJEX - TB Titles and Scopes - Data file structure and contents (XML format)
Infopro	iPROJEX - Infopro - Data file structure and contents (XML format)
	iPROJEX - Infopro - Data file structure and contents (XLS format)
Keymark Certificates	iPROJEX - Keymark - Data file structure and contents (XLS format)

ANNEX II – List of Activity Sectors

The Business Sectors are identified by *NN_YYYYY* while the Activity Sectors are identified by *NNYYYYY*. Only the Activity Sectors have to be included in the INFOPRO notification.

CODE	TITLE
01_FOODA	Food and agriculture
01AAAA	Food_General
01AGRP	Agricultural, farming, fishing, forestry and related products
01AGRS	Agricultural, forestry, horticultural, aquacultural and apicultural services
01FOOD	Food, beverages and related products
02_MINMT	Mining and metals
02AAAA	Mining and Metals
02MINM	Mining, basic metals and related products
03_CHEMI	Chemicals
03AAAA	Chemicals_General
03CHEP	Chemical products
03PLAR	Plastic and rubber materials
03TOBA	Tobacco, tobacco goods and supplies
04_CONST	Construction
04AAAA	Construction_General
04BUIL	Construction work
04COSE	Architectural, construction services, Engineering and inspection services
04CPRO	Construction products, structures and materials; auxiliary products to construction (except electric
05_MECHA	Mechanical and machinery
05AAAA	Mechanical engineering_GENERAL
05LABO	Laboratory, optical and precision equipment (excl. glasses)
05MAAG	Agricultural machinery
05MACH	Industrial machinery excluding Machinery for the production and use of mechanical power
05MCON	Machinery for mining, quarrying, construction equipment
05TANK	Tanks, reservoirs, containers and pressure vessels
05WELD	Welding
06_TRANS	Transport and vehicles
06AAAA	Transport_General (including packaging)
06AIRS	Aircraft and spacecraft, and related equipment
06AUXT	Supporting and auxiliary transport services (Excluding travel agencies services)
06BOAT	Ships , boats and related equipment
06CARS	Motor vehicles, Vehicle bodies, trailers or semi-trailers, Parts and accessories for vehicles and th
06CBLW	Cable-supported transport systems with cabins
06CYCL	Motorcycles, bicycles and sidecars and related equipment
06RAIL	Railway and tramway locomotives and rolling stock and associated parts
06ROEQ	Road equipment and miscellaneous transport equipment
06TRAS	Transport services (excl. Waste transport)
06VEHO	Other non-mechanically-propelled vehicles

2023-01-20

07_ENERU	Energy and utilities
07AAAA	Energy and Utilities_General
07ELDI	Electricity distribution and equipment
07ENVI	Sewage, refuse, cleaning and environmental services
07FUEL	Fuels (solid and gaseous fuels, petroleum and distillates)
07GASD	Gas distribution and related services
07GENE	Electric Generation (including turbines)
07HOTW	Steam, hot water and associated products
07NUCL	Nuclear energy and related equipment
07OTEN	Other sources of energy supplies and distribution
07PUWA	Collected and purified water
07WWCS	Consulting services for water-supply and waste consultancy
08_ELTEC	Electrotechnology
08AAAA	Electrotechnology_General
08BATT	Accumulators, primary cells and primary batteries
08CABL	Insulated wire and cable
08EAPA	Electrical equipment and apparatus
08EMEC	Electronic, electromechanical and electrotechnical supplies
08EMOT	Electric motors and transformers
08LAMP	Lighting equipment and electric lamps
08LVIM	Low Voltage electrical installations material
09_HOUVA	Household appliances and HVAC
09HOUS	Household and other appliances
09HVAC	Heating, cooling and ventilation equipment (HVAC Equipment)
10_DIGIS	Digital society
10AAAA	Digital society_General
10COMP	Office and computing machinery, equipment and supplies except furniture and software packages
10ITSE	IT services: consulting, software development, Internet and support
10SOFT	Software package and information systems
10TCOM	Telecommunications services
10TELE	Radio, television, communication, telecommunication and related equipment
11_HEALT	Healthcare and health & safety
11AAAA	Health_General
11HEAS	Health and social work services
11MEDP	Medical equipment, pharmaceuticals and personal care products
11WORK	Occupational clothing, special workwear and accessories
12_CONSU	Consumer
12AAAA	Consumer_General
12BOOK	Printed matter and related products
12FASH	Consumer clothing, footwear and accessories
12FURN	Furniture, furnishings and cleaning products
12GAME	Games and toys
12MUSA	Musical instruments, handicraft, art materials and accessories
12PYRO	Lighters, articles of combustible materials, pyrotechnics, matches and liquid or liquefied gas fuels
12RECS	Recreational, cultural and sporting services

2023-01-20

12SPOR	Sport goods
12TEXF	Leather and textile fabrics
13_DEFCE	Defence and security
13AAAA	Defence and security_General
13DEFE	Police and military and related support equipment
13FIRF	Fire-fight equipment
13HELP	Emergency , security and related support equipment
14_SERVI	Services
14AAAA	Services_General
14ADMS	Administration, community and social security services
14BUSI	Business services: law, marketing, consulting, recruitment, printing and security
14EDUC	Education and training services
14INNO	Research and development services and related consultancy services
14LABS	Laboratory services
14MAIL	Post and courier services
14MAIN	Repair and maintenance services
14OCOS	Other community, social and personal services
14REAL	Real estate services
14SFIN	Financial and insurance services
14SINS	Installation services (except software)
14TEST	Technical testing, analysis and consultancy services
14TOUR	Hotel, restaurant and travel